

RoughDeck® QC Quick Clean Floor Scale

RICE LAKE
WEIGHING SYSTEMS

As of: Friday, February 14, 2025



Standard Features

- Rugged washdown design
- Smooth, 304 stainless steel top deck
- Rigid 304 stainless steel tube frame
- Meets HACCP requirements
- Manual drop-in-place safety bar
- Four stainless steel, hermetically sealed, IP69K shear beam load cells
- 20 ft of SURVIVOR® EL147HE hostile environment load cell cable
- Remote junction box can be mounted up to 10 ft away from the scale
- 3/16 in thick smooth top plate
- 4 adjustable stainless steel SUREFOOT™ support feet

Approvals





WARNING:
Cancer
and
Reproductive
Harm
California
Proposition
65

A Floor Scale for Demanding Washdown Environments

The RoughDeck QC is a hostile environment, stainless steel floor scale customized for food, chemical and other demanding washdown applications. The RoughDeck QC's exclusive gas-shock design provides easy lifting and soft closing of the 3/16 inch top plate. Also included is a manual drop-in-place support bar for use during extended underdeck cleaning.

All of our floor scales, unless specified otherwise, are built with lifting holes to assist our dealers during installation, or to later service the scales. The lifting holes are not the same size on all of our scales and in the PDF on the Resources tab, you will find a chart that lists the standard size and quantity of eyebolts needed for our scales.

RoughDeck QC Floor Scale Specifications

End Load Capacity:

100% full scale at 2,000 lb and 5,000 lb
80% full scale at 10,000 lb

Cable Length:

20 ft (6.1 m) for connecting junction box to indicator

Scale Weldment:

AISI304L, glass bead blasted for even appearance

Junction Box:

TuffSeal® JB4SS stainless steel, NEMA Type 4X junction box with signal trim card

Welding:

Stitch, consult if continuous is required

Threaded Eyebolt Hole:

1/2-20 NF located in center of deck for easy lifting

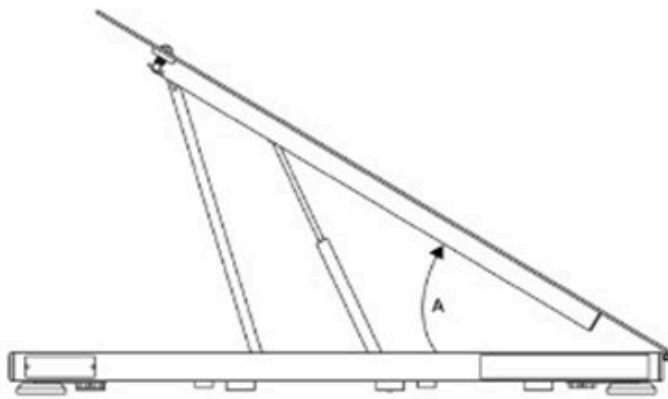
Warranty (limited):

Weldment: Five-year
Load cells: Two-year
All other components: One-year

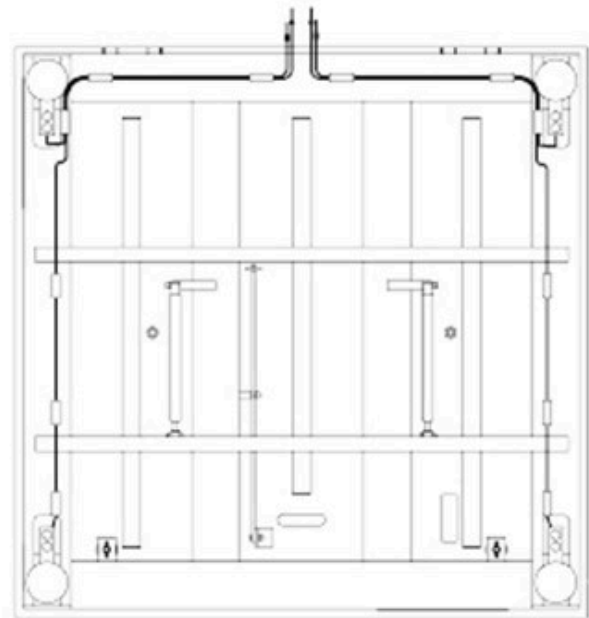
Approvals:

NTEP CC 92-001, Class III 5,000 d

RoughDeck QC Floor Scale Dimensions



(Upright position)
(Wings are located on "L" dimension)

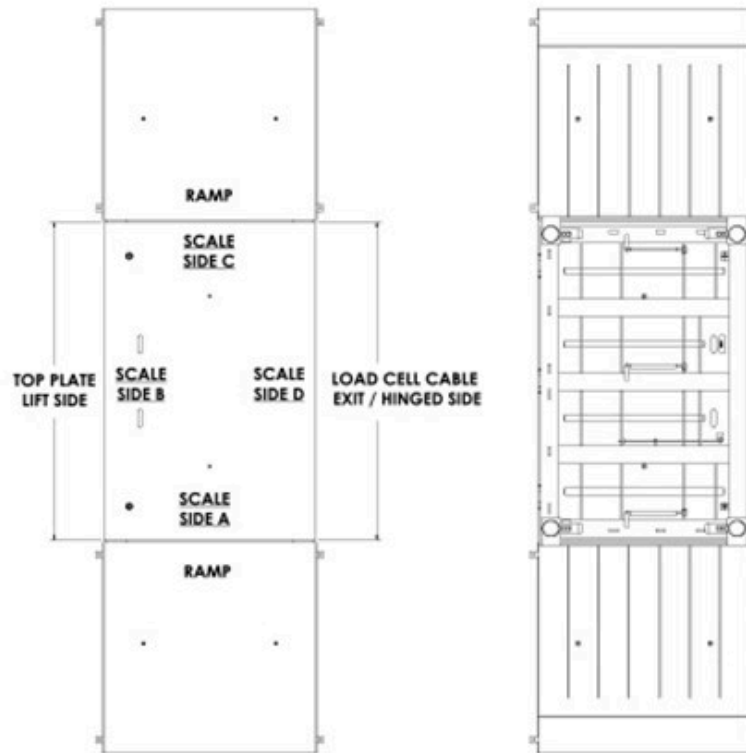


Underdeck View

Dimensions		
	Size of Scale	Degree
A	2.5 ft x 2.5 ft	37
	3 ft x 3 ft	30
	4 ft x 4 ft	30
	4 ft x 5 ft	30
	4 ft x 6 ft	26
	5 ft x 5 ft	25
	5 ft x 7 ft	24

RoughDeck QC Ramps Angle of Incline

Access Ramps (Diamond Treadplate Standard) (W x L x H)		
<i>Part #</i>	<i>Ramp Size</i>	<i>Ramp Angle of Incline</i>
69193	2.5 ft x 4.0 ft x 3.5 in (works with PN 50402)	4.0°
69194	3.0 ft x 4.0 ft x 3.5 in (works with PN 50403)	4.0°
69195	4.0 ft x 4.0 ft x 3.5 in (works with PN 50404, 50405 and 50407)	4.0°
69217	4.0 ft x 4.0 ft x 4.5 in (works with PN 50406, 50408, 50410 and 50411)	5.2°
69218	4.0 ft x 4.0 ft x 4.5 in (works with PN 50409)	5.2°
69222	4.0 ft x 5.0 ft x 5.5 in (works with PN 50412)	5.1°
69219	5.0 ft x 4.0 ft x 4.5 in (works with PN 50413 and 50414)	5.2°
69220	5.0 ft x 4.0 ft x 4.5 in (works with PN 50415)	5.2°
69223	5.0 ft x 5.0 ft x 5.5 in (works with PN 50416, 50417 and 50418)	5.1°



Parts

Part #	Description
50402	Scale,Floor Roughdeck QC 2.5x2.5HPQC-2K 2-1/2ftx2-1/2ftx3-1/2 2000lb 20ft NTEP III SST HE
50403	Scale,Floor Roughdeck QC 3x3HPQC-2K 3ftx3ftx3-1/2 2000lb 20ft NTEP III SST HE
50404	Scale,Floor Roughdeck QC 4x4HPQC-2K 4ftx4ftx3-1/2 2000lb 20ft NTEP III SST HE
50405	Scale,Floor Roughdeck QC 4x4HPQC-5K 4ftx4ftx3-1/2 5000lb 20ft NTEP III SST HE
50406	Scale,Floor Roughdeck QC 4x4HPQC-10K 4ftx4ftx4-1/2 10000lb 20ft NTEP III SST HE
50407	Scale,Floor Roughdeck QC 4x5HPQC-2K 4ftx5ftx3-1/2 2000lb 20ft NTEP III SST HE
50408	Scale,Floor Roughdeck QC 4x5HPQC-5K 4ftx5ftx4-1/2 5000lb 20ft NTEP III SST HE
50409	Scale,Floor Roughdeck QC 4x5HPQC-10K 4ftx5ftx4-1/2 10000lb 20ft NTEP III SST HE
50410	Scale,Floor Roughdeck QC 4x6HPQC-2K 4ftx6ftx4-1/2 2000lb 20ft NTEP III SST HE
50411	Scale,Floor Roughdeck QC 4x6HPQC-5K 4ftx6ftx4-1/2 5000lb 20ft NTEP III SST HE
50412	Scale,Floor Roughdeck QC 4x6HPQC-10K 4ftx6ftx5-1/2 10000lb 20ft NTEP III SST HE
50413	Scale,Floor Roughdeck QC 5x5HPQC-2K 5ftx5ftx4-1/2 2000lb 20ft NTEP III SST HE
50414	Scale,Floor Roughdeck QC 5x5HPQC-5K 5ftx5ftx4-1/2 5000lb 20ft NTEP III SST HE
50415	Scale,Floor Roughdeck QC 5x5HPQC-10K 5ftx5ftx4-1/2 10000lb 20ft NTEP III SST HE
50416	Scale,Floor Roughdeck QC 5x7HPQC-2K 5ftx7ftx5-1/2 2000lb 20ft NTEP III SST HE
50417	Scale,Floor Roughdeck QC 5x7HPQC-5K 5ftx7ftx5-1/2 5000lb 20ft NTEP III SST HE
50418	Scale,Floor Roughdeck QC 5x7HPQC-10K 5ftx7ftx5-1/2 10000lb 20ft NTEP III SST HE

Access Ramp (Diamond Tread Plate Standard) (W x L x H)

69193	Ramp,Roughdeck QC 2-1/2ftW x 4ftL x 3-1/2H 2-1/2 x 2-1/2 x 2K Roughdeck QC SST
69194	Ramp,Roughdeck QC 3ftW x 4ftL x 3-1/2H 3 x 3-2K Roughdeck QC SST
69195	Ramp,Roughdeck QC 4ftW x 4ftL x 3-1/2H 4x4-2k 4x4-5k 4x5-2k Roughdeck QC SST
69217	Ramp,Roughdeck QC 4ftW x 4ftL x 4-1/2H 4x4-10K, 4x5-5K, 4x6-2K, 4x6-5K Roughdeck QC SST
69218	Ramp,Roughdeck QC 4ftW x 4ftL x 4-1/2H 4x5-10K Roughdeck QC SST
69222	Ramp,Roughdeck QC 4ftW x 5ftL x 5-1/2H 4x6-10K Roughdeck QC SST
69219	Ramp,Roughdeck QC 5ftW x 4ftL x 4-1/2H 5x5-2K, 5x5-5K Roughdeck QC SST
69220	Ramp,Roughdeck QC 5ftW x 4ftL x 4-1/2H 5x5-10K Roughdeck QC SST

Part #	Description
69223	Ramp,Roughdeck QC 5ftW x 5ftL x 5-1/2H 5x7-2K, 5x7-5K, 5x7-10K Roughdeck QC SST
Pit Frame (W x L x D)	
64768	Pit Frame,Roughdeck QC 2-1/2ftW x 2-1/2ftL x 4DP 2-1/2x2-1/2-2k Roughdeck QC SST
64769	Pit Frame,Roughdeck QC 3ftW x 3ftL x 4DP 3x3-2k Roughdeck QC SST
64770	Pit Frame,Roughdeck QC 4ftW x 4ftL x 4DP 4x4-2k, 4x4-5k Roughdeck QC SST
64771	Pit Frame,Roughdeck QC 4ftW x 4ftL x 5DP 4x4-10k Roughdeck QC SST
64772	Pit Frame,Roughdeck QC 4ftW x 5ftL x 4DP 4x5-2k Roughdeck QC SST
64773	Pit Frame,Roughdeck QC 4ftW x 5ftL x 5DP 4x5-5k Roughdeck QC SST
64774	Pit Frame,Roughdeck QC 4ftW x 5ftL x 5DP 4x5-10k Roughdeck QC SST
64775	Pit Frame,Roughdeck QC 4ftW x 6ftL x 5DP 4x6-2k, 4x6-5k Roughdeck QC SST
64776	Pit Frame,Roughdeck QC 4ftW x 6ftL x 6DP 4x6-10k Roughdeck QC SST
64777	Pit Frame,Roughdeck QC 5ftW x 5ftL x 5DP 5x5-2k, 5x5-5k Roughdeck QC SST
64778	Pit Frame,Roughdeck QC 5ftW x 5ftL x 5DP 5x5-10k Roughdeck QC SST
64779	Pit Frame,Roughdeck QC 5ftW x 7ftL x 6DP 5x7-2k, 5x7-5k, 5x7-10k Roughdeck QC SST

Options

Part #	Description
28740	Floor Stand,Indicator SST (36.3in) For 120/120 Plus, 882IS/882IS Plus, 882IS/882IS Plus w/battery, 880/880 Plus, 480/480 Plus, 482/482 Plus, 680/682 Synergy, 380/380X Synergy
18778	Mounting Plate Set, Roughdeck 1,000-10,000 lb SST
Consult	Stainless steel diamond treadplate safety deck

Replacement Parts

Part #	Description
88956	J-Box,JB4SS 4 Channel Signal Trim with Expansion, w/PG 7 cord grips for load cells, Stainless Steel Nema 4X FM Approved
18756	Foot,Floor Scale SUREFOOT 1/2-20NFx3.47DIAx2.62 SST stem and Neoprene Rubber bottom
47714	Ring,Retaining 5/16 Shaft DIA External Series 3100 SST Thickness = .025 Free DIA = .281
47715	Pin,Hinge 5/16 DIA x 5 Long SST
47718	Latch,Safety 1/4 x3/4 x 23-3/8 SST
14994	Screw,Cap 5/16-24NF x 1 Hex Socket Head SST
47711	Screw,Cap 5/16-18NC x 1-1/2 Hex Socket Head 18-8 SST
47690	Spring, Gas, 18-3/4in Overall Length, 19-3/4in Extended Length, 10-3/4in Body Length, 11-3/4in Compressed Length, 8in Stroke, End Fitting 1.13 x .39 x .75, Pressurized To 150lbs, 316 SST
53378	Spring, Gas, 14-3/4in Overall Length, 15-3/4in Extended Length, 8-3/4in Body Length, 9-3/4in Compressed Length, 6in Stroke, End Fitting 1.13 x .39 x .75, Pressurized To 120lbs, 316 SST
15233	Pin,Cotter 1/8x3/4 Extended Prong SST
47712	Pin,Clevis 5/16 DIAx1-1/2 Overall Length SST
14634	Nut,Lock 1/4-20NC HEX Nylon Insert SST Width Across Flats=7/16 Thickness=5/16
35088	Screw,Cap 1/4-20NC x 1 Hex Head Fully Threaded 18-8 SST
40044	Spring,Trigger Blank .56(REF)x.685+/- .010 (Must Slide Inside .700 DIA Hole And Over .560 DIA Shaft) .055 Wire DIA 9-3/4(REF) Active Coils .820 At 5-3/4lb Maximum Compression Length Ends Closed And Ground Flat Stainless Steel
48682	Corner Lock Subassembly, Roughdeck
47691	Knob,Corner Lock SST
52517	Pin,Cotter 1/16x1 Extended Prong SST
47713	Ring,Retaining 1/2 Shaft DIA E-Style Series 1000 SST Thickness = .042 Free DIA = .392
15611	Cable Assy,6 Conductor 20ft Long, EL147HE, Used On Roughdeck
191636	Load Cell,SEB RL32218S-HE 4000lb 20ft PTFE cable 2mv/v 350 Ohm NTEP III 5M FM WW SST IP69K
191635	Load Cell,SEB RL32218S-HE 2500lb 20ft PTFE cable 2mv/v 350 Ohm NTEP III 5M FM WW SST IP69K
191634	Load Cell,SEB RL32218S-HE 1000lb 20ft PTFE cable 2mv/v 350 Ohm NTEP III 5M FM WW SST IP69K

www.ricelake.com | 800-472-6703

An ISO 9001 Registered Company ©2024 Rice Lake Weighing Systems