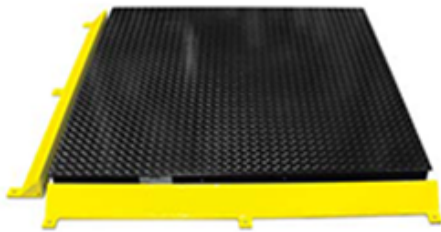


RoughDeck® HP, HP-H, SS and HE Bumper Guards

RICE LAKE
WEIGHING SYSTEMS

*As of: Thursday, February 13,
2025*



Standard Features

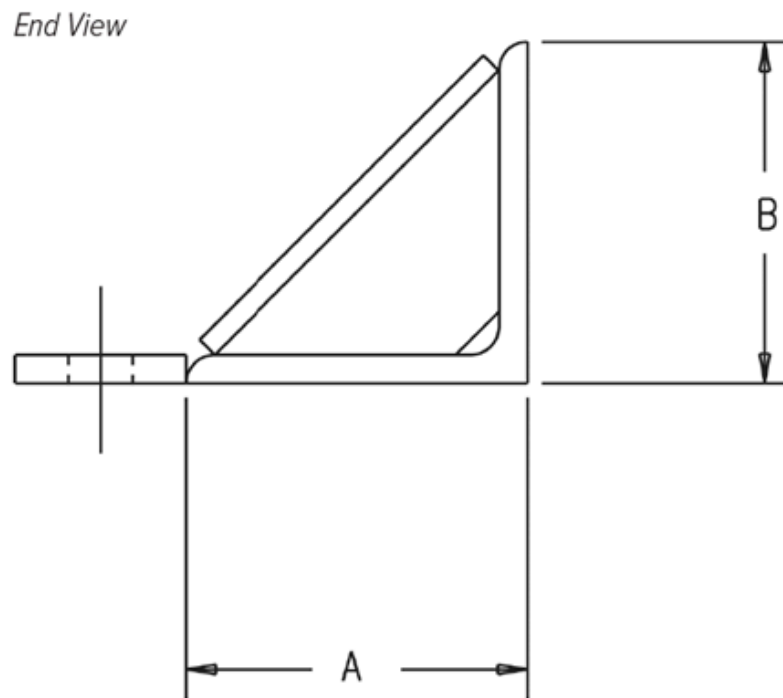
To protect your RoughDeck floor scale from unwanted and potentially damaging contact, install the RoughDeck bumper guards on any or all sides. The RoughDeck HP and HP-H versions are painted safety yellow for optimal visibility, further protecting your RoughDeck floor scale.

Bumper Guards Specifications

Anchor bolt size required:
1/2 in dia (not included)

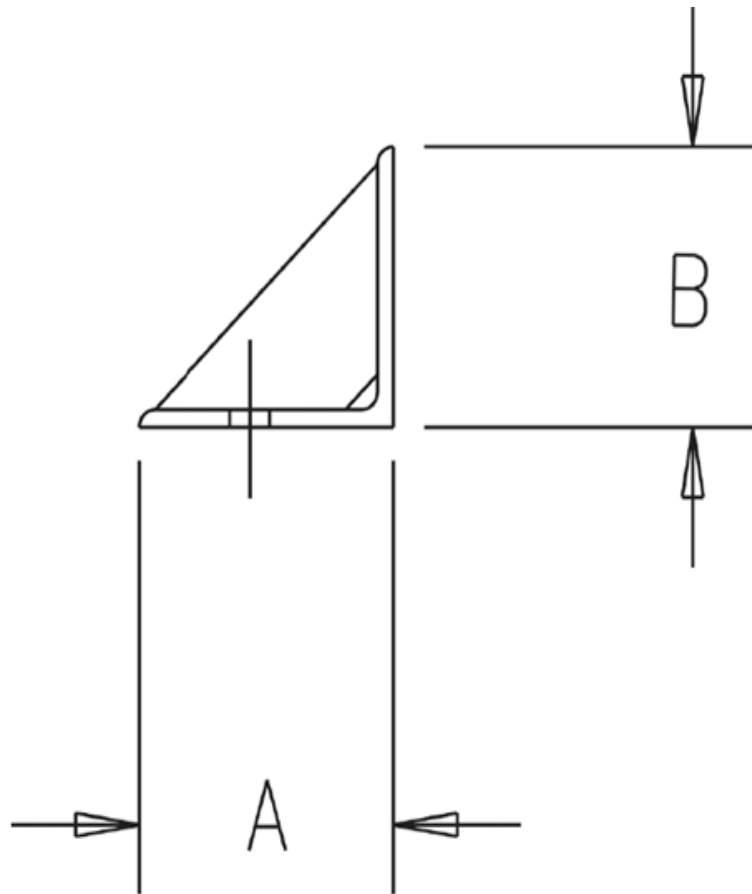
Construction:
RoughDeck® HP and HP-H versions
(Mild steel, painted yellow)
RoughDeck SS/HE (304 stainless steel)

RoughDeck HP, HP-H, SS and HE Bumper Guards Option A Dimensions



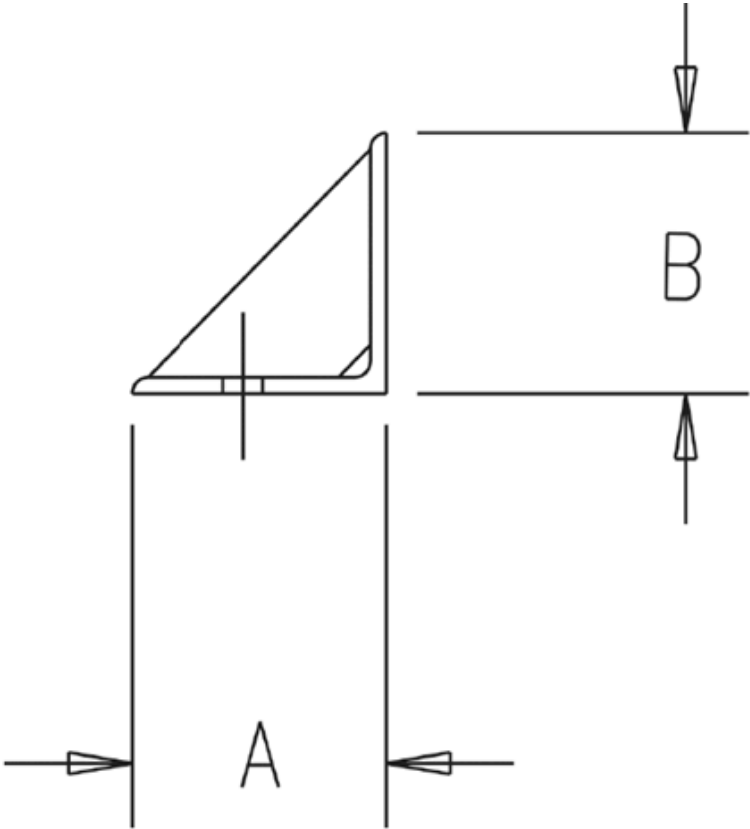
Dimensions		
Model	A	B
RoughDeck HP	3 in	3 in
RoughDeck SS/HE	3 in	3 in
RoughDeck HP-H	4 in	4 in

RoughDeck HP, HP-H, SS and HE Bumper Guards Option B Dimensions



Dimensions		
Model	A	B
RoughDeck HP	3 in	3 in
RoughDeck SS/HE	3 in	3 in
RoughDeck HP-H	4 in	4 in

RoughDeck HP, HP-H, SS and HE Bumper Guards Option C Dimensions



Dimensions		
Model	A	B
RoughDeck HP	3 in	3 in
RoughDeck SS/HE	3 in	3 in
RoughDeck HP-H	4 in	4 in

Parts

Part # Description

Option A - RoughDeck HP

86815	Bumper Guard, Roughdeck HP 2.5ft long, OPT A, 10K or smaller, 3x3x1/4, 5/8 diameter holes
86816	Bumper Guard, Roughdeck HP 3ft long, OPT A, 10K or smaller, 3x3x1/4, 5/8 diameter holes
86817	Bumper Guard, Roughdeck HP 4ft long, OPT A, 10K or smaller, 3x3x1/4, 5/8 diameter holes
86818	Bumper Guard, Roughdeck HP 5ft long, OPT A, 10K or smaller, 3x3x1/4, 5/8 diameter holes
86819	Bumper Guard, Roughdeck HP 6ft long, OPT A, 10K or smaller, 3x3x1/4, 5/8 diameter holes
86820	Bumper Guard, Roughdeck HP 7ft long, OPT A, 10K or smaller, 3x3x1/4, 5/8 diameter holes
86821	Bumper Guard, Roughdeck HP 8ft long, OPT A, 10K or smaller, 3x3x1/4, 5/8 diameter holes
86822	Bumper Guard, Roughdeck HP 9ft long, OPT A, 10K or smaller, 3x3x1/4, 5/8 diameter holes
86823	Bumper Guard, Roughdeck HP 10ft long, OPT A, 10K or smaller, 3x3x1/4, 5/8 diameter holes

Option A - RoughDeck HP-H

86833	Bumper Guard, Roughdeck HP-H 2.5ft long, OPT A, Higher Than 10K, 4x4x1/4 Angle, 5/8 Diameter Holes
86834	Bumper Guard, Roughdeck HP-H 3ft long, OPT A, Higher Than 10K, 4x4x1/4 Angle, 5/8 Diameter Holes
86835	Bumper Guard, Roughdeck HP-H 4ft long, OPT A, Higher Than 10K, 4x4x1/4 Angle, 5/8 Diameter Holes
86836	Bumper Guard, Roughdeck HP-H 5ft long, OPT A, Higher Than 10K, 4x4x1/4 Angle, 5/8 Diameter Holes
86837	Bumper Guard, Roughdeck HP-H 6ft long, OPT A, Higher Than 10K, 4x4x1/4 Angle, 5/8 Diameter Holes
86838	Bumper Guard, Roughdeck HP-H 7ft long, OPT A, Higher Than 10K, 4x4x1/4 Angle, 5/8 Diameter Holes
86839	Bumper Guard, Roughdeck HP-H 8ft long, OPT A, Higher Than 10K, 4x4x1/4 Angle, 5/8 Diameter Holes
86840	Bumper Guard, Roughdeck HP-H 9ft long, OPT A, Higher Than 10K, 4x4x1/4 Angle, 5/8 Diameter Holes
86841	Bumper Guard, Roughdeck HP-H 10ft long, OPT A, Higher Than 10K, 4x4x1/4 Angle, 5/8 Diameter Holes

Option A - RoughDeck SS/HE

86824	Bumper Guard, Roughdeck SS/HE 2.5ft long, OPT A, 10K or smaller, 3x3x1/4 Angle, 5/8 diameter holes
86825	Bumper Guard, Roughdeck SS/HE 3ft long, OPT A, 10K or smaller, 3x3x1/4 Angle, 5/8 diameter holes
86826	Bumper Guard, Roughdeck SS/HE 4ft long, OPT A, 10K or smaller, 3x3x1/4 Angle, 5/8 diameter holes
86827	Bumper Guard, Roughdeck SS/HE 5ft long, OPT A, 10K or smaller, 3x3x1/4 Angle, 5/8 diameter holes
86828	Bumper Guard, Roughdeck SS/HE 6ft long, OPT A, 10K or smaller, 3x3x1/4 Angle, 5/8 diameter holes
86829	Bumper Guard, Roughdeck SS/HE 7ft long, OPT A, 10K or smaller, 3x3x1/4 Angle, 5/8 diameter holes

Part #	Description
86830	Bumper Guard, Roughdeck SS/HE 8ft long, OPT A, 10K or smaller, 3x3x1/4 Angle, 5/8 diameter holes
86831	Bumper Guard, Roughdeck SS/HE 9ft long, OPT A, 10K or smaller, 3x3x1/4 Angle, 5/8 diameter holes
86832	Bumper Guard, Roughdeck SS/HE 10ft long, OPT A, 10K or smaller, 3x3x1/4 Angle, 5/8 diameter holes

Option B - RoughDeck HP

86843	Bumper Guard, Roughdeck HP 2.5ft long, OPT B, 10K or smaller, 3x3x1/4 Angle, 5/8 Diameter Holes
86844	Bumper Guard, Roughdeck HP 3ft long, OPT B, 10K or smaller, 3x3x1/4 Angle, 5/8 Diameter Holes
86845	Bumper Guard, Roughdeck HP 4ft long, OPT B, 10K or smaller, 3x3x1/4 Angle, 5/8 Diameter Holes
86846	Bumper Guard, Roughdeck HP 5ft long, OPT B, 10K or smaller, 3x3x1/4 Angle, 5/8 Diameter Holes
86847	Bumper Guard, Roughdeck HP 6ft long, OPT B, 10K or smaller, 3x3x1/4 Angle, 5/8 Diameter Holes
86848	Bumper Guard, Roughdeck HP 7ft long, OPT B, 10K or smaller, 3x3x1/4 Angle, 5/8 Diameter Holes
86849	Bumper Guard, Roughdeck HP 8ft long, OPT B, 10K or smaller, 3x3x1/4 Angle, 5/8 Diameter Holes
86850	Bumper Guard, Roughdeck HP 9ft long, OPT B, 10K or smaller, 3x3x1/4 Angle, 5/8 Diameter Holes
86851	Bumper Guard, Roughdeck HP 10ft long, OPT B, 10K or smaller, 3x3x1/4 Angle, 5/8 Diameter Holes

Option B - RoughDeck HP-H

86861	Bumper Guard, Roughdeck HP-H 2.5ft long, OPT B, Higher than 10K, 4x4x1/4 Angle, 5/8 Diameter Holes
86862	Bumper Guard, Roughdeck HP-H 3ft long, OPT B, Higher than 10K, 4x4x1/4 Angle, 5/8 Diameter Holes
86863	Bumper Guard, Roughdeck HP-H 4ft long, OPT B, Higher than 10K, 4x4x1/4 Angle, 5/8 Diameter Holes
86864	Bumper Guard, Roughdeck HP-H 5ft long, OPT B, Higher than 10K, 4x4x1/4 Angle, 5/8 Diameter Holes
86865	Bumper Guard, Roughdeck HP-H 6ft long, OPT B, Higher than 10K, 4x4x1/4 Angle, 5/8 Diameter Holes
86866	Bumper Guard, Roughdeck HP-H 7ft long, OPT B, Higher than 10K, 4x4x1/4 Angle, 5/8 Diameter Holes
86867	Bumper Guard, Roughdeck HP-H 8ft long, OPT B, Higher than 10K, 4x4x1/4 Angle, 5/8 Diameter Holes
86868	Bumper Guard, Roughdeck HP-H 9ft long, OPT B, Higher than 10K, 4x4x1/4 Angle, 5/8 Diameter Holes
86869	Bumper Guard, Roughdeck HP-H 10ft long, OPT B, Higher than 10K, 4x4x1/4 Angle, 5/8 Diameter Holes

Option B - RoughDeck SS/HE

86852	Bumper Guard, Roughdeck SS/HE 2.5ft long, OPT B, 10K or smaller, 3x3x1/4 Angle, 5/8 Diameter Holes
86853	Bumper Guard, Roughdeck SS/HE 3ft long, OPT B, 10K or smaller, 3x3x1/4 Angle, 5/8 Diameter Holes
86854	Bumper Guard, Roughdeck SS/HE 4ft long, OPT B, 10K or smaller, 3x3x1/4 Angle, 5/8 Diameter Holes
86855	Bumper Guard, Roughdeck SS/HE 5ft long, OPT B, 10K or smaller, 3x3x1/4 Angle, 5/8 Diameter Holes
86856	Bumper Guard, Roughdeck SS/HE 6ft long, OPT B, 10K or smaller, 3x3x1/4 Angle, 5/8 Diameter Holes

Part #	Description
86857	Bumper Guard, Roughdeck SS/HE 7ft long, OPT B, 10K or smaller, 3x3x1/4 Angle, 5/8 Diameter Holes
86858	Bumper Guard, Roughdeck SS/HE 8ft long, OPT B, 10K or smaller, 3x3x1/4 Angle, 5/8 Diameter Holes
86859	Bumper Guard, Roughdeck SS/HE 9ft long, OPT B, 10K or smaller, 3x3x1/4 Angle, 5/8 Diameter Holes
86860	Bumper Guard, Roughdeck SS/HE 10ft long, OPT B, 10K or smaller, 3x3x1/4 Angle, 5/8 Diameter Holes

Option C - RoughDeck HP

86870	Bumper Guard, Roughdeck HP 2.5ft long, OPT C, 10K or smaller, 3x3x1/4 Angle, 5/8 Diameter Holes
86871	Bumper Guard, Roughdeck HP 3ft long, OPT C, 10K or smaller, 3x3x1/4 Angle, 5/8 Diameter Holes
86872	Bumper Guard, Roughdeck HP 4ft long, OPT C, 10K or smaller, 3x3x1/4 Angle, 5/8 Diameter Holes
86873	Bumper Guard, Roughdeck HP 5ft long, OPT C, 10K or smaller, 3x3x1/4 Angle, 5/8 Diameter Holes
86874	Bumper Guard, Roughdeck HP 6ft long, OPT C, 10K or smaller, 3x3x1/4 Angle, 5/8 Diameter Holes
86875	Bumper Guard, Roughdeck HP 7ft long, OPT C, 10K or smaller, 3x3x1/4 Angle, 5/8 Diameter Holes
86876	Bumper Guard, Roughdeck HP 8ft long, OPT C, 10K or smaller, 3x3x1/4 Angle, 5/8 Diameter Holes
86877	Bumper Guard, Roughdeck HP 9ft long, OPT C, 10K or smaller, 3x3x1/4 Angle, 5/8 Diameter Holes
86878	Bumper Guard, Roughdeck HP 10ft long, OPT C, 10K or smaller, 3x3x1/4 Angle, 5/8 Diameter Holes

Option C - RoughDeck HP-H

86888	Bumper Guard, Roughdeck HP-H 2.5ft long, OPT C, Higher than 10K, 4x4x1/4 Angle, 5/8 Diameter Holes
86889	Bumper Guard, Roughdeck HP-H 3ft long, OPT C, Higher than 10K, 4x4x1/4 Angle, 5/8 Diameter Holes
86890	Bumper Guard, Roughdeck HP-H 4ft long, OPT C, Higher than 10K, 4x4x1/4 Angle, 5/8 Diameter Holes
86891	Bumper Guard, Roughdeck HP-H 5ft long, OPT C, Higher than 10K, 4x4x1/4 Angle, 5/8 Diameter Holes
86892	Bumper Guard, Roughdeck HP-H 6ft long, OPT C, Higher than 10K, 4x4x1/4 Angle, 5/8 Diameter Holes
86893	Bumper Guard, Roughdeck HP-H 7ft long, OPT C, Higher than 10K, 4x4x1/4 Angle, 5/8 Diameter Holes
86894	Bumper Guard, Roughdeck HP-H 8ft long, OPT C, Higher than 10K, 4x4x1/4 Angle, 5/8 Diameter Holes
86895	Bumper Guard, Roughdeck HP-H 9ft long, OPT C, Higher than 10K, 4x4x1/4 Angle, 5/8 Diameter Holes
86896	Bumper Guard, Roughdeck HP-H 10ft long, OPT C, Higher than 10K, 4x4x1/4 Angle, 5/8 Diameter Holes

Option C - RoughDeck SS/HE

86879	Bumper Guard, Roughdeck SS/HE 2.5ft long, OPT C, 10K or smaller, 3x3x1/4 Angle, 5/8 Diameter Holes
86880	Bumper Guard, Roughdeck SS/HE 3ft long, OPT C, 10K or smaller, 3x3x1/4 Angle, 5/8 Diameter Holes
86881	Bumper Guard, Roughdeck SS/HE 4ft long, OPT C, 10K or smaller, 3x3x1/4 Angle, 5/8 Diameter Holes
86882	Bumper Guard, Roughdeck SS/HE 5ft long, OPT C, 10K or smaller, 3x3x1/4 Angle, 5/8 Diameter Holes

Part #	Description
86883	Bumper Guard, Roughdeck SS/HE 6ft long, OPT C, 10K or smaller, 3x3x1/4 Angle, 5/8 Diameter Holes
86884	Bumper Guard, Roughdeck SS/HE 7ft long, OPT C, 10K or smaller, 3x3x1/4 Angle, 5/8 Diameter Holes
86885	Bumper Guard, Roughdeck SS/HE 8ft long, OPT C, 10K or smaller, 3x3x1/4 Angle, 5/8 Diameter Holes
86886	Bumper Guard, Roughdeck SS/HE 9ft long, OPT C, 10K or smaller, 3x3x1/4 Angle, 5/8 Diameter Holes
86887	Bumper Guard, Roughdeck SS/HE 10ft long, OPT C, 10K or smaller, 3x3x1/4 Angle, 5/8 Diameter Holes

Options

Part #	Description
18777	Mounting Plate Set, Roughdeck 1,000-10,000 lb Steel Painted
18778	Mounting Plate Set, Roughdeck 1,000-10,000 lb SST
40387	Mounting Plate Set, ROUGHDECK 20,000lb Steel Painted
40388	Mounting Plate Set, ROUGHDECK 30,000lb Steel Painted

www.ricelake.com | 800-472-6703

An ISO 9001 Registered Company ©2024 Rice Lake Weighing Systems