

HC/HD Series

Counting Scales

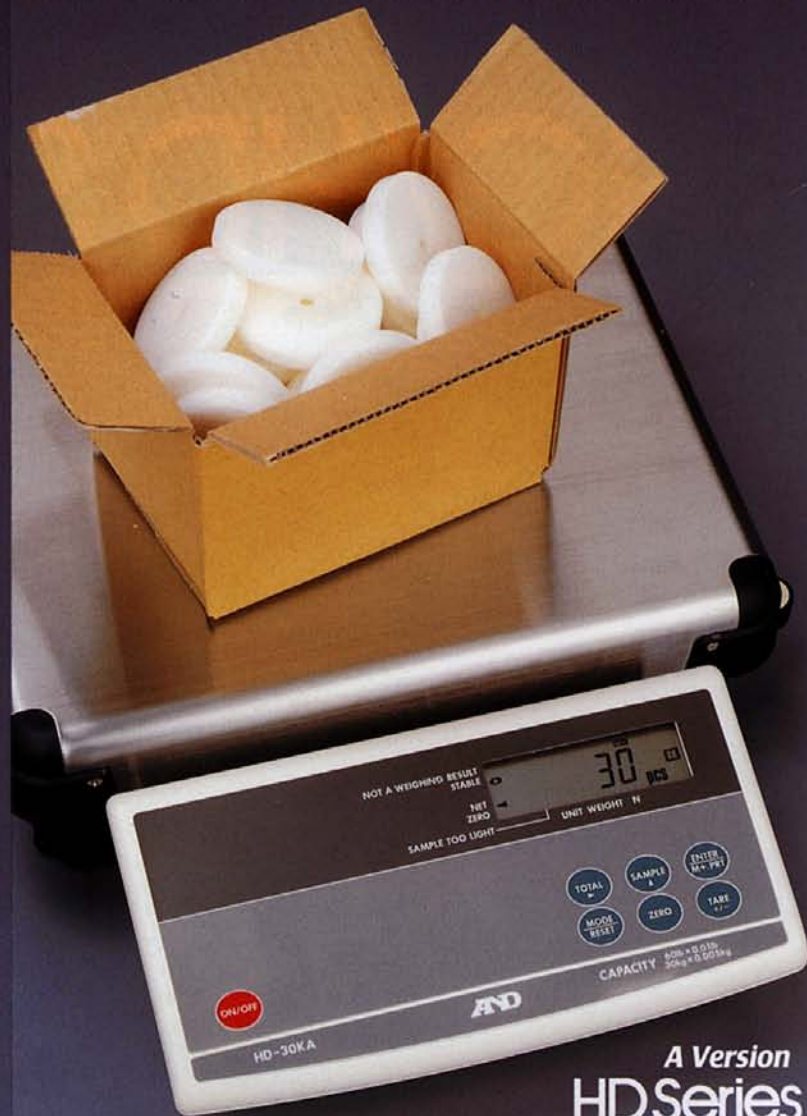


A&D
A&D WEIGHING
...Clearly a Better Value





A Version
HC Series



A Version
HD Series

High performance, Affordable, Great features

Features

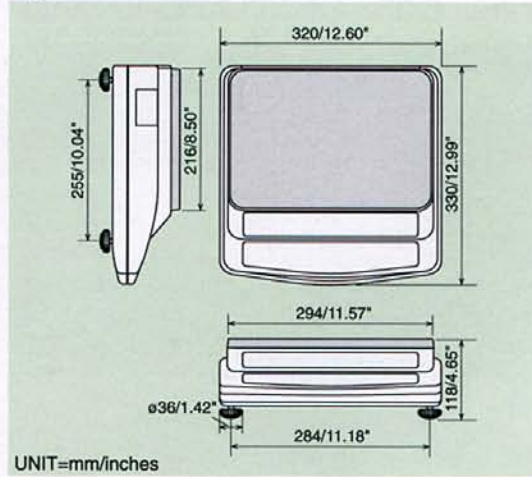
- Designed for cost conscious users
- High quality, full featured counting scales
- Choice of simple operation (A version) or 10-key pad models for direct entry of tare weight, piece weight and sample size (B version)
- Automatic Counting Accuracy Improvement (ACAI) feature for excellent counting accuracy
- Comparator function for use in packaging operations. Results on display, buzzer or optional relay output
- 12 models ranging from 6~120 pound capacities in A and B versions
- M+ totaling for running totals
- 3 power sources-AC, dry cell battery for standard operation, or optional rechargeable battery (AD-1681). Battery power is particularly useful in portable operations and areas with no power or power blackouts
- Automatic power off to conserve battery life
- Large easy to read wide angle LCD displays
- Intuitive operation for ease of use and reduced training time
- Disables all key functions except (ON/OFF)(ZERO)(TARE)(SAMPLE) (ENTER/M+/PRT) for error free use

HC Series

The HC series is designed for the cost conscious user. It is compact and portable. Both A and B Versions are available.

B Version shown

Physical Dimensions



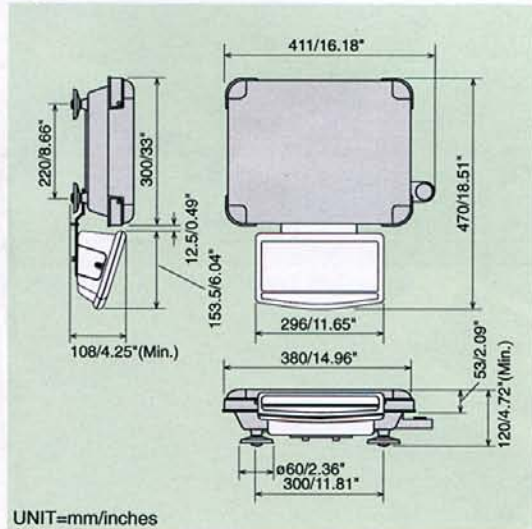
- HC-3KA/3KB**
3kg x 0.5g / 6 lb x 0.001 lb
- HC-6KA/6KB**
6kg x 1g / 12 lb x 0.002 lb
- HC-12KA/12KB**
12kg x 2g / 30 lb x 0.005 lb

HD Series

The HD series has a detachable display head and large weighing pan for use with over sized containers. Both A and B Versions are available.

B Version shown

Physical Dimensions



- HD-12KA/12KB**
12kg x 2g / 30 lb x 0.005 lb
- HD-30KA/30KB**
30kg x 5g / 60 lb x 0.01 lb
- HD-60KA/60KB**
60kg x 10g / 120 lb x 0.02 lb

Option

- OP-06 Carrying Handle (HD only)



Accessories

- AD-1681 Rechargeable Battery



- AD-8121 Multi-function Printer



Specifications

HC Series

Model	HC-3KA	HC-6KA	HC-12KA	HC-3KB	HC-6KB	HC-12KB
Capacity/Resolution (kg)	3kg x 0.5g	6kg x 1g	12kg x 2g	3kg x 0.5g	6kg x 1g	12kg x 2g
Capacity/Resolution (lb)	6 x 0.001	12 x 0.002	30 x 0.005	6 x 0.001	12 x 0.002	30 x 0.005
Internal Resolution	1/240000					
Min. Unit Weight (g)*	0.1/0.025	0.2/0.05	0.4/0.1	0.1/0.025	0.2/0.05	0.4/0.1
Calibration Mass (kg)	1-3	1-6	1-12	1-3	1-6	1-12
Calibration Mass (lb)	1-6	1-12	10-30	1-6	1-12	10-30
Sample Size	5,10,25,50 or 100			5, 10, 25, 50, 100 or random numbers user selectable		
Max. Count (pieces)	30000/120000pcs					
Linearity	±0.5g	±1g	±2g	±0.5g	±1g	±2g
Display	Liquid Crystal Display, 17mm/0.67inches height					
Sensitivity Drift	20ppm/°C (5°C-35°C)					
Operating Temperature	-10°C-40°C /14°F-104°F					
Weight	Approximately 3kg /6.6 lb					
Power	AC Adapter, six AM2 (C type) 1.5V dry batteries or optional rechargeable NiCd battery pack (AD-1681)					
Battery Life	Approximately 100 hours with manganese type cells, 200 hours with alkaline type cells, 20 hours with rechargeable battery pack(AD-1681)					
Pan Size	216(W) x 294(D) mm/8.50(W) x 11.57(D) Inches					
Physical Dimensions	320(W) x 330(D) x 118(H) mm/12.60(W) x 12.99(D) x 4.65(H) Inches					
Standard Accessories	Manual, AC adapter					

*Minimum weighing resolution can be selected from 1/30000 mode or 1/120000 mode.

HD Series

Model	HD-12KA	HD-30KA	HD-60KA	HD-12KB	HD-30KB	HD-60KB
Capacity/Resolution (kg)	12kg x 2g	30kg x 5g	60kg x 10g	12kg x 2g	30kg x 5g	60kg x 10g
Capacity/Resolution (lb)	30 x 0.005	60 x 0.01	120 x 0.02	30 x 0.005	60 x 0.01	120 x 0.02
Internal Resolution	1/240000					
Min. Unit Weight (g)*	0.4/0.1	1/0.25	2/0.5	0.4/0.1	1/0.25	2/0.5
Calibration Mass (kg)	1-12	10-30	10-60	1-12	10-30	10-60
Calibration Mass (lb)	10-30	10-60	10-120	10-30	10-60	10-120
Sample Size	5,10,25,50 or 100			5, 10, 25, 50, 100 or random numbers user selectable		
Max. Count (pieces)	30000/120000pcs					
Linearity	±2g	±5g	±10g	±2g	±5g	±10g
Display	Liquid Crystal Display, 17mm/0.67inches height					
Sensitivity Drift	20ppm/°C (5°C-35°C)					
Operating Temperature	-10°C-40°C /14°F-104°F					
Weight	Approximately 9kg /19.8 lb					
Power	AC Adapter, six AM2 (C type) 1.5V dry batteries or optional rechargeable NiCd battery pack (AD-1681)					
Battery Life	Approximately 100 hours with manganese type cells, 200 hours with alkaline type cells, 20 hours with rechargeable battery pack(AD-1681)					
Pan Size	300(W) x 380(D) mm/11.81(W) x 14.96(D) Inches					
Physical Dimensions	411(W) x 470(D) x 120(H) mm/16.18(W) x 18.50(D) x 4.72(H) Inches					
Standard Accessories	Manual, AC adapter					

*Minimum weighing resolution can be selected from 1/30000 mode or 1/120000 mode.

Specifications subject to change for improvement without notice.

Options for HC Series

- HC-03 — Serial Interface (RS-232C)
- HC-04 — Comparator/Relay Output
- HC-05 — Serial Interface (Current Loop)
- HC-101E — HC Carrying Case

Only one option can be selected from HC-03, HC-04 and HC-05.

Options for HD Series

- HD-03 — Serial Interface (RS-232C)
- HD-04 — Comparator/Relay Output
- HD-05 — Serial Interface (Current Loop)
- HD-06 — Carrying Handle

Only one option can be selected from HD-03, HD-04 and HD-05.

Accessories

- AD-1681 — Rechargeable Battery Pack
- AD-8118B — Universal Printer
- AD-8121 — Multi-function Printer
- AD-1191 — Tape Printer

AND
A&D WEIGHING
...Clearly a Better Value

1555 McCandless Drive, Milpitas, CA. 95035
Toll-free (800) 726-3364
Tel: (408) 263-5333 Fax: (408) 263-0119
EMAIL: value@and1.com WEB: www.and1.com

LIT:HC/HD-0102-2.5K