

# 480/482 Legend® Series Digital Weight Indicator



## Standard Features

---

- LED display (480)
- LCD backlit display (482)
- Time and date, battery backed
- Local/remote operation
- Numeric keypad (480 Plus/482 Plus)
- Keyed entries for setpoint values (480 Plus/482 Plus)
- Two independent serial ports
- NEMA Type 4X/IP66 stainless steel washdown enclosure
- Programmable ticket formats for gross, net, accumulator and setpoints
- Five continuous stream formats
- Adapter filter or rolling average filter
- Operator functions through menu for audit trail, preset tare, unit ID, accumulator, time and date, setpoints, communications and print formats
- Eight setpoints, sequenced batch engine
- Configurable with Revolution® software

## Approvals



Measurement  
Canada  
Approved





WARNING:  
Cancer and  
Reproductive  
Harm  
California  
Proposition  
65

# 480/482 Digital Weight Indicator: Value and Performance Redefined

---

With NEMA Type 4X, stainless steel enclosure and advanced gasket system, the industrial-strength Legend Series is built for dirty, wet environments and demanding workplaces, inside or out. Choose between large, ultra-bright LED or LCD 0.8-inch displays with 6-digits and sharp contrast for superior display visibility.

Advanced circuitry withstands electrical noise, power disturbances and transient spikes that are common to industrial applications. The Legend Series' six-button tactile keypad allows for quick navigation and programming. The Legend Plus Series offers a full numeric keypad.

The Legend Series offers a valuable solution for a variety of applications, from basic weighing to batching. Built-in gross/net modes provide quick flexibility for everyday needs. Also utilize the 480's custom ticket printing to modify gross, net and setpoint tokens for a tailored print format.

## 480/482 Specifications

---

### Power:

Line voltages: 100 to 240 VAC  
Frequency: 50/60 Hz

### Power Consumption:

8 W

### Excitation Voltage:

5 VDC, 8 × 350 ohm or 16 × 700 ohm load cells

### Analog Signal Input Range:

±7 mV/V

### Analog Signal Sensitivity:

0.1 μV/graduation minimum,  
0.5 μV/graduation recommended

### A/D Sample Rate:

5, 10, 20, 40 Hz, software selectable

### Resolution:

Internal: 523,000 counts  
Display: 100,000

### System Linearity:

Within 0.01% of full scale

### Digital I/O:

Optional 2 or 4 inputs  
4 or 8 dry-contact relays

### Communication Ports:

Com 1: RS-232 full duplex  
Com 2: RS-232 full duplex or 20 mA simplex, continuous  
Both ports 1200, 2400, 4800, 9600, 19200, 38400 baud seven or eight data bits, even, odd or no parity

### (Optional) Analog Output:

16-bit resolution, voltage output 0-10 VDC, current output 0-20 mA / 4-20 mA

### (Optional) Relay Board:

Two opto-isolated, 5 to 24 VDC, active high inputs  
Primary keys, pseudo functions, batching functions  
(4) 30 VDC, 2 amp dry-contact relays

### Annunciators:

Gross, net, center of zero, standstill, lb, kg, tare, preset tare

### Display:

**480/480 Plus:** LED display  
0.8 in (20 mm), six-digit, seven-segment  
**482/482 Plus:** LCD backlit display, transmissive/transflective  
0.8 in (20 mm), six-digit, seven-segment

### Keys/Buttons:

Flat membrane panel, embossed keys, tactile feel

### Temperature:

Certified: 14 °F to 104 °F (-10 °C to 40 °C)  
Operating: 14 °F to 122 °F (-10 °C to 50 °C)

### Rating/Material:

NEMA Type 4X/IP66  
Stainless steel

### Weight:

6.4 lb (2.9 kg)

### Warranty:

Two-year limited

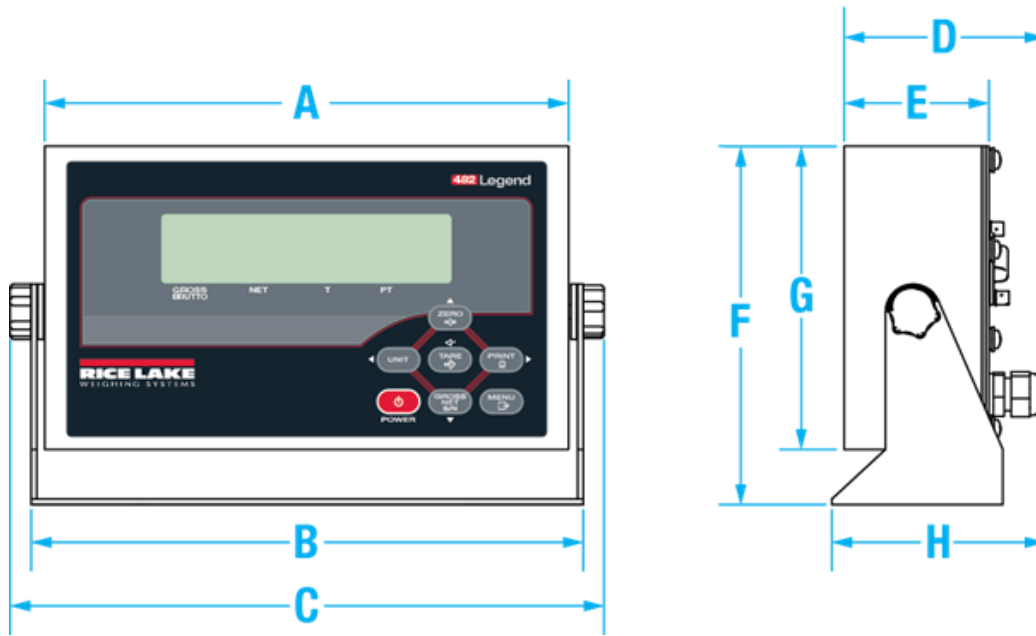
### EMC Immunity:

EN 50082 Part 2 IEC EN  
61000-4-2, 3, 4, 5, 6, 8, and 11

### Approvals:

NTEP 12-123, Class III/IIIL, 10,000d  
Measurement Canada AM-5892C  
OIML R76/2006-NL1-15.24  
EU Test Certificate TC8322  
CE Marked  
cULus  
UKCA

# 480/482 Dimensions



Dimensions					
A	9.50 in (241 mm)	D	3.65 in (92 mm)	G	6.00 in (152 mm)
B	10.00 in (254 mm)	E	2.75 in (70 mm)	H	3.75 in (95 mm)
C	11.00 in (279 mm)	F	7.00 in (178 mm)		

# Parts

---

## Part # Description

### 480 Legend Series 115 VAC

126564 Indicator,480 Legend LED Display,115VAC NEMA 5-15 Plug, Stainless Steel Enclosure

130338 Indicator,480 Legend LED Display, 115VAC NEMA 5-15 Plug, Stainless Steel Enclosure with Analog Output 0-10VDC, 4-20ma.

### 480 Legend Series 90 to 264 VAC

126565 Indicator,480 Legend LED Display, 90-264VAC with Euro Plug, Stainless Steel Enclosure

130339 Indicator,480 Legend LED Display, 90-264VAC with Euro Plug, Stainless Steel Enclosure, With Analog Output 0-10VDC, 4-20ma

### 480 Plus Legend Series 115 VAC

164588 Indicator,480 Plus Legend LED Display, Numeric Keypad, 115VAC NEMA 5-15 Plug Stainless Steel Enclosure

164589 Indicator,480 Plus Legend LED Display, Numeric Keypad, 115VAC NEMA 5-15 Plug with Analog Output 0-10VDC, 4-20ma. Stainless Steel Enclosure

164590 Indicator,480 Plus Legend LED Display, Numeric Keypad, 115VAC NEMA 5-15 Plug, Digital I/O and Relay Output. Stainless Steel Enclosure.

### 480 Plus Legend Series 90 to 264 VAC

164591 Indicator,480 Plus Legend LED Display, Numeric Keypad, 90-264VAC CEE 7/7 Plug Stainless Steel Enclosure

164592 Indicator,480 Plus Legend LED Display, Numeric Keypad, 90-264VAC CEE 7/7 Plug with Analog Output 0-10VDC, 4-20ma. Stainless Steel Enclosure

164593 Indicator,480 Plus Legend LED Display, Numeric Keypad, 90-264VAC CEE 7/7 Plug Digital I/O and Relay Output. Stainless Steel Enclosure.

### 482 Legend Series 115 VAC

164581 Indicator,482 Legend LCD Display, 115VAC NEMA 5-15 Plug, Stainless Steel Enclosure

### 482 Legend Series 90-264 VAC

164672 Indicator,482 Legend LCD Display, 90-264VAC CEE 7/7 Plug, Stainless Steel Enclosure

### 482 Plus Legend Series 115 VAC

164584 Indicator,482 Plus Legend LCD Display, Numeric Keypad, 115VAC NEMA 5-15 Plug, Stainless Steel Enclosure

### 482 Plus Legend Series 90-264 VAC

164673 Indicator,482 Plus Legend LCD Display, Numeric Keypad, 90-264VAC 7/7 Plug Stainless Steel Enclosure

# Options

---

Part #	Description
131340	Bracket,Mounting Assy for Option Modules in 480 Indicator
131341	Ind OPT, Analog Output 480, 0-10VDC, 4-20Ma
131342	Ind OPT, Relay 480 2 Digital Inputs, 4 Dry contact relays
165379	Cable,480 Flash Update Connects into J14 via RS232.
151100	Ind Opt,A/D Sealing Kit Cover for A/D on 480 Indicator
151099	Panel,Mount Option 480/680 Indicator,Gasketed Non-NEMA Seal.
83564	Overlay,Clear Protective Window with Adhesive Edge, Package of Five Each, IQ+355, 320IS, 420, CW90
223864	Knob, Star M6x1.0 304 SST
119201	LIT,Manual 480 Technical 480 Legend Series Technical Manual
165124	LIT,Manual 482 Technical 482 Legend Series Technical Manual

## Primary Replacement Components

131345	Overlay, 480 Keypad 6-key For LED window
159612	Overlay, 480 Plus LED Numeric keypad
131346	Display Board,480 LED 7 Segment
161048	Overlay, 482 keypad 6-key Window for LCD Display
161049	Overlay, 482 Plus LCD Numeric Keypad
153776	Display Board,482 LCD 7 Segment Display With BackLight
131316	Power Supply, Switching 85-265VAC Input, 6VDC Output, 480 indicator
131318	Board ASSY,CPU 480 482
131319	Board,A/D ASSY 480

# Replacement Parts

---

## Part # Description

### Backplate

**164650** Ind Opt,Battery Kit For 480/ 482. Includes Battery, Holder, Charger Board, Cable

**131322** Battery Bracket ASSY, 480

**131323** Battery, 480 Lithium Rechargeable Battery

**131321** Backplate, 480 Back Plane Base 304

**14626** Nut,Kep 8-32NC HEX External Tooth Lockwasher Steel Zinc Plated Width Across Flats= 11/32 Thickness=5/32. 8-32

**14831** Screw,MACH 4-40NCx5/16 Phillips Pan Head Internal Tooth Lock Washer SEMS Steel Zinc Plated

**131333** Ground Clamp, 480

**164580** Clamp,Ground Cable Shield Dia 0.25 used for 6 conductor cable.

**131334** Ground Wire, 480 Insulated

**131340** Bracket,Mounting Assy for Option Modules in 480 Indicator

**131341** Ind OPT, Analog Output 480, 0-10VDC, 4-20Ma

**131342** Ind OPT, Relay 480 2 Digital Inputs, 4 Dry contact relays

**164600** Ind OPT,480 USB/Ethernet USB and Ethernet TCP/IP Kit.

**22085** Screw,Machine 4-40NCx3/16 Phillips Pan Head Steel Zinc Plated

**131345** Overlay, 480 Keypad 6-key For LED window

**159612** Overlay, 480 Plus LED Numeric keypad

**161048** Overlay, 482 keypad 6-key Window for LCD Display

**161049** Overlay, 482 Plus LCD Numeric Keypad

**131346** Display Board,480 LED 7 Segment

**153776** Display Board,482 LCD 7 Segment Display With BackLight

**131316** Power Supply, Switching 85-265VAC Input, 6VDC Output, 480 indicator

**131339** Cover, 480 Power Supply Safety Cover

**131317** Board, Battery Charging VDC to VDC, 480 482

**131318** Board ASSY,CPU 480 482

**131319** Board,A/D ASSY 480

**131324** Screw,4-40 Drilled Fillister Head 304SS

**131325** Screw,8-32 x 1/4 Drilled Fillister Head, 304SS

**131335** O-ring, 480

**Part # Description**

<b>15626</b>	Cord Grip,PG9 Black Clamping Range .138 - .315 Nut: 15627. Torque at 3.75Nm (33.19 inch lbs.)
<b>30375</b>	Seal Ring,Nylon PG9 .59 ID X .75 OD X .08
<b>193559</b>	Screw,6-32 x 13mm Drilled fillister set up tamper screw, 480 and 482 indicator
<b>131344</b>	Gasket, 480 Back Plate
<b>75062</b>	Washer,Bonded Sealing #8 7/16 (.4375) OD SST
<b>164912</b>	Tilt Stand, 480 and 482
<b>164577</b>	Knob & Washer Kit for 480 Black, Round Lobe Grip, M6 with Internal Thread Includes Two Knobs, and Nylon Washers
<b>164604</b>	Ind OPT,Ethernet Cable with Cord Grip, RJ45 Connector, 6 foot Length
<b>167707</b>	Ind OPT,480 USB Cable with Cord Grip, Type A Male Connector, 200 CM Length
<b>167708</b>	Ind OPT,480 USB Cable with Cord Grip, Type B Male Connector, 200 CM Length
<b>164602</b>	Ind OPT,480 USB Cable with Cord Grip, Type A Female Connector, 6 inch (20cm) Length
<b>88733</b>	Vent,Breather Sealed Goretex Membrane in black molded plastic chassis Gore IP69K rated
<b>88734</b>	Nut,Breather Vent molded plastic for PN-88733
<b>103462</b>	CONN,2 Pos Screwterminal Pluggable 3.81 Center for 16-28AWG wire
<b>76513</b>	CONN,4 Pos Screw Terminal Pluggable 3.81mm Center 30 - 14 AWG .276 Strip Length Screw Torque 1.95 LB/IN Minimum - 2.213 LB/IN Maximum
<b>76514</b>	CONN,6 Pos Screw Terminal Pluggable 3.81mm Centers Phoenix 1803617 or Equivalent, 16-28AWG Strip length = .28
<b>157223</b>	CONN,15 Pos ScrewTerminal Pluggable 3.81mm Centers Phoenix 28-16 AWG Strip length = .28
<b>155230</b>	Cable ASSY,Ribbon Right Angle 20 Pin Female Connector Each End 480 CPU to Display board
<b>155231</b>	Cable ASSY,Ribbon Right Angle 14 Pin Female Connector Each End 480 CPU to A/D board
<b>155232</b>	Cable ASSY,Ribbon Right Angle 10 Pin Female Connector Each End 480 Power Supply to CPU board
<b>155233</b>	Cable ASSY,Ribbon Right Angle 16 Pin Female Connector Each End 480 CPU to Option boards.
<b>155234</b>	Power Cord ASSY,120VAC with connector for 480 and 482
<b>131314</b>	Parts Kit,480 Assy
<b>164579</b>	Cover, A/D Sealing 480 Covers Load Cell Connector & A/D Board
<b>19538</b>	Plug,Post, Slotted, DIA = 1/4IN, Shank = 1/2 - 1IN, Plastic, Seals Inside Cord Grip

**Components of Part# 131314**

<b>94422</b>	Label,Capacity .40 X 5.00
<b>53374</b>	Label, Annunciators Black background w/white lettering oz g t TN lb kg
<b>14862</b>	Screw,Machine 8-32NC x 3/8 Phillips Pan Head Fully Threaded 18-8 SST
<b>45042</b>	Washer,Bonded Sealing #8 3/8 (.375) OD SST
<b>76514</b>	CONN,6 Pos Screw Terminal Pluggable 3.81mm Centers Phoenix 1803617 or Equivalent, 16-28AWG Strip length = .28



**Part # Description**

---

**103462** CONN,2 Pos Screwterminal Pluggable 3.81 Center for 16-28AWG wire

---

**131320** Screw,8-32 X 1/2 Drilled Fillister Head, 304SS

**[www.ricelake.com](http://www.ricelake.com) | 800-472-6703**

*An ISO 9001 Registered Company ©2024 Rice Lake Weighing Systems*